



Rigid

RIGID SOLAR PANEL

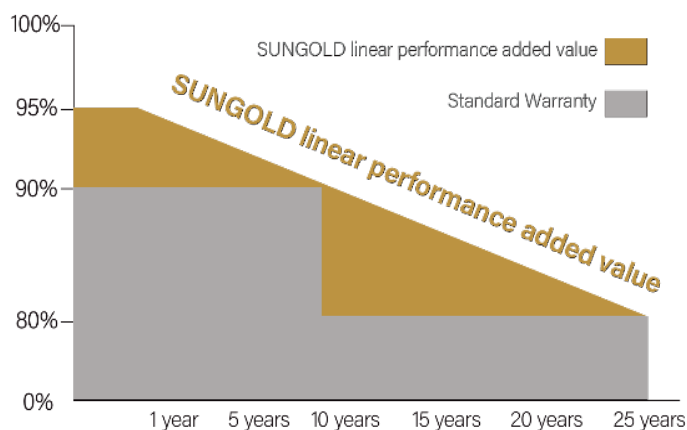
SGD-M2-10/25/50/100/150/200/220/250/290W



Solar Panel

Product introduction

The latest generation of high-efficiency PERC Shingle-cell technology adopts the latest cell surface optimization technology to achieve zero cell spacing, greatly reducing package blanks and maximizing the use of component space. This effectively increases the light-receiving area of the component and strongly increases the power.



Features

High conversion efficiency



- Greatly reduces light and electricity loss
- Leading technology in the market.

Durable



- Resist high temperature weather and prolong service life

Strong stability



- Excellent stability & the risk of cracking reduced
- Salt mist, ammonia and blowing sand resistance apply to seaside, farm and desert environment

10
years

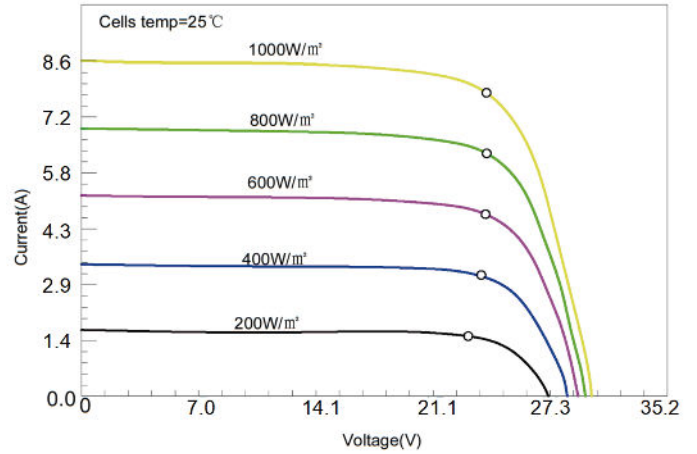
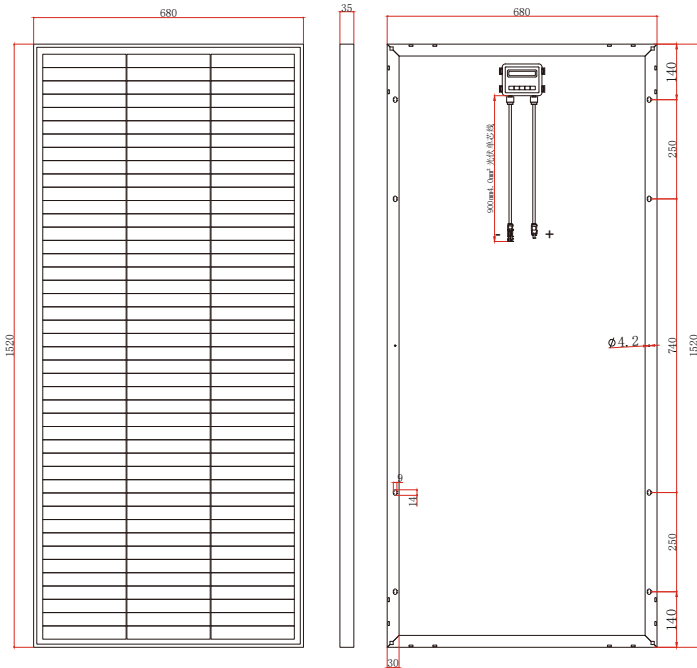
Guarantee on product material and workmanship

25
years

Linear power output warranty



Module Diagram (SGD-M2-200W)



Product certification



Mechanical Specifications

Solar Cells	Monocrystalline
Front Glass	3.2mm thickness Tempered Glass
Frame	Anodized aluminium alloy
Waterproof level	IP65
Connectors	MC4
Back sheet	PET

Electrical Characteristics

Model	SGD-M2-10W	SGD-M2-25W	SGD-M2-50W	SGD-M2-100W	SGD-M2-150W	SGD-M2-200W	SGD-M2-220W	SGD-M2-250W	SGD-M2-290W
Maximum power(Pmax)	10W	25W	50W	100W	150W	200W	220W	250W	290W
Open-circuit voltage(Voc)	21.5V	22.2V	21.5V	22.2V	22.2V	29.5V	32.3V	27.6V	32.3V
Voltage at Pmax(Vmp)	18.2V	18.8V	18.2V	18.8V	18.8V	25.0V	27.4V	23.4V	27.4V
Short-circuit current(Isc)	0.58A	1.41A	2.91A	5.64A	8.46A	8.48A	8.51A	11.32A	11.23A
Current at Pmax(Imp)	0.55A	1.33A	2.75A	5.32A	7.98A	8.00A	8.03A	10.69A	10.59A
Dimensions(mm)	310*250*18	410*350*25	575*450*25	1150*460*30	1150*680*35	1520*680*35	1660*680*35	1420*890*35	1660*890*35
Junction box	PV-JB019	PV-JB007	PV-XC0806		PV-JB018-3				
The maximum system voltage	600V DC(IEC)				1000V DC(IEC)				
Cells efficiency(%)						22.00%			
Power temperature coefficient						-0.38%/°C			
Voltage temperature coefficient						-0.36%/°C			
Current temperature coefficient						0.07%/°C			
Output power tolerance						±3%			
Operating temperature						-40°C~85°C			

*SUNGOLD offer customize service, please refer to our website or ask SUNGOLD workers for more sizes and the latest parameters.